

INSTALLATION INSTRUCTIONS

120-277V 50/60Hz

SAFETY PRECAUTIONS:

Read all safety precautions and installation instructions carefully before installing or servicing this fixture. Failure to comply with these instructions could result in potentially fatal electric shock and/or property damage.

It is recommended that all wiring be performed by a qualified electrician. This fixture must be wired in accordance with all national and local electrical codes.

Do not handle any energized fixture or attempt to energize any fixture with wet hands or while standing on a wet or damp surface or in water.

Make sure that the power source conforms to the requirements of the fixture (see labels on fixture housing).

To reduce the risk of electrical shock, and to assure proper operation, this fixture must be adequately grounded. To accomplish proper grounding, there must be a separate ground wire (green) or bare metal contact (metal conduit) between this fixture and the ground connection of your main power supply panel.

INSTALLATION INSTRUCTIONS(Ceiling installation)

1. Turn off power at the circuit breaker and the light switch. Ensure the power is off before continuing.
2. Remove fixture screw (2), remove canopy (5) from fixture body (1).
3. Use positioning paper card to position the wall anchor (6) hole and drill 1/4 inch with a drill bit. Then insert the wall anchor (6) into the hole, and then fix the canopy (5) on the wall anchor (6) through the wall anchor screw (4).
4. Fix the canopy (5) to the junction box with the mounting screw (3).
5. Make all wire connections to appropriate wire. Secure with wire nuts.

Wire connection: Connect white(neutral) supply wire to white wire (9) ; connect black(hot) supply wire to black wire (10) ; connect ground wire to ground wire (11) , using wire nuts provided.

For 0-10V dimming fixture.

Connect the pink wire (12) from the fixture to the dimmer source gray or pink wire. Connect the purple wire (13) from the fixture to the dimmer source purple wire. Connect the white wire (9) from the fixture to the neutral (N) wire from dimming source per dimmer wiring instructions. Connect the black wire (10) from the fixture to the control line (L) wire from dimmer supply power source per dimmer wiring instructions.

For TRIAC dimming.

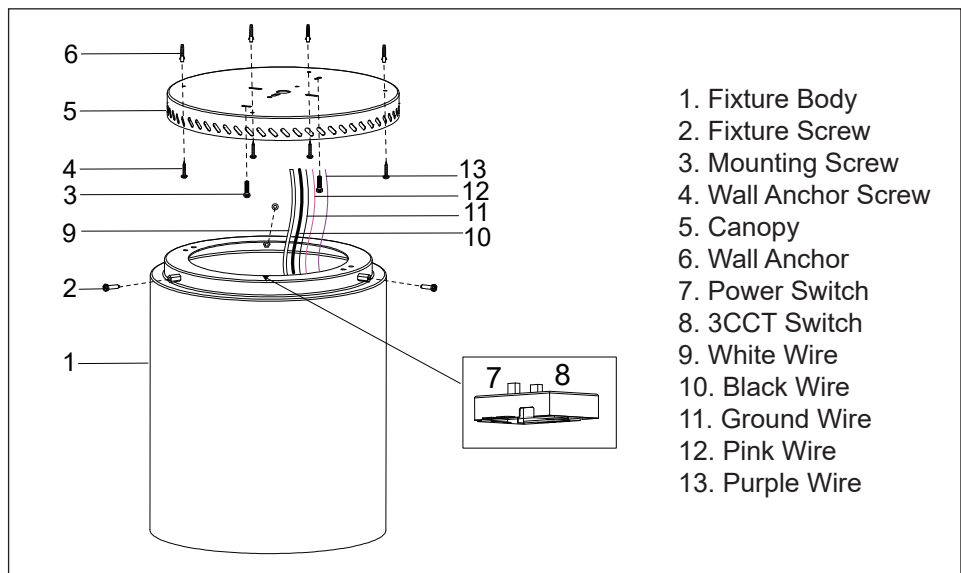
Connect the white wire (9) to corresponding white (N) wire in accordance with the dimmer manufacturer instructions.

Connect the black wire (10) to the corresponding control line (L) wire in accordance with the dimmer manufacturer instructions. Pink and purple wires are not to be used and must be individually capped to prevent shorting. Pull on each wire lead to verify all connections are secure.

6. The power switch (7) can be dialed to select the appropriate wattage. The 3CCT switch (8) can be dialed to adjust the appropriate color temperature (3000K/4000K/5000K).

7. Finally, the disassembled fixture body (1) is fixed to the canopy (5) through the fixture screw (2).

8. Complete the installation and turn on the switch.



INSTALLATION INSTRUCTIONS (Ceiling-mounted installation)

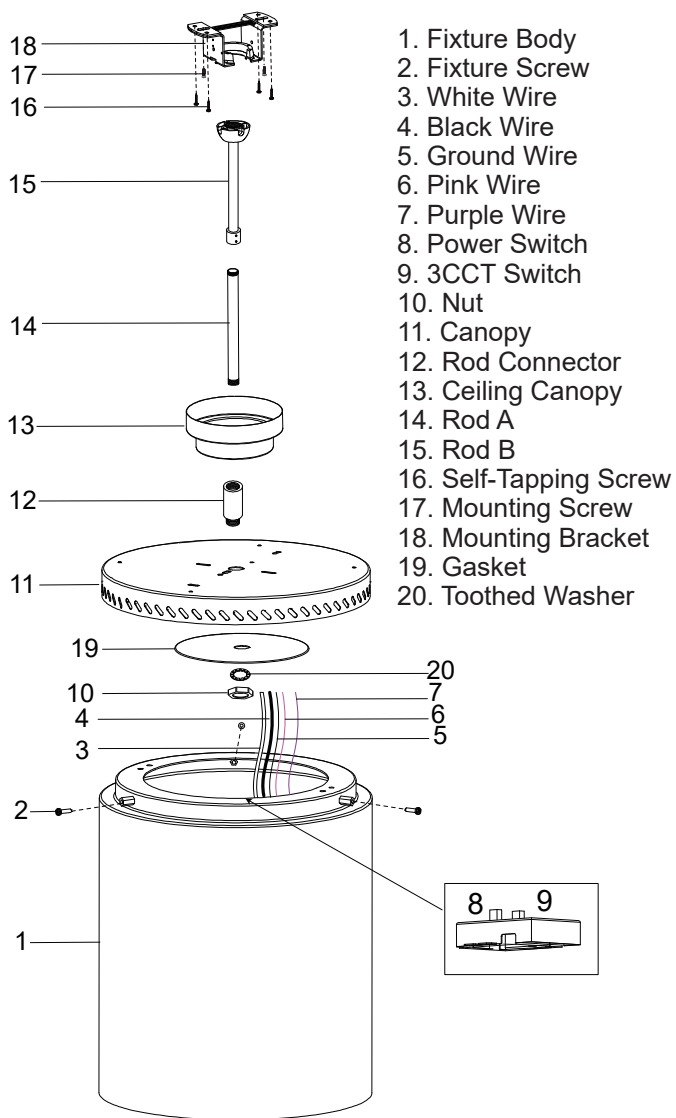


FIG 1

1. Turn off power at the circuit breaker and the light switch. Ensure the power is off before continuing(see figure 1).
2. Remove fixture screw (2), remove canopy (11) from fixture body (1) (see figure 1).
3. Use mounting bracket (18) to position the self-tapping screw (16) hole and drill 1/4 inch with a drill bit. Then fix the mounting bracket (18) on the ceiling through the self-tapping screw (16) (see figure 1).
4. Fix the mounting bracket (18) to the junction box with the mounting screw (17).The mounting screw (17) do not need to be locked, and 2/3 of the screws are exposed (see figure 1).
5. Pass the wires through nut (10), gasket (19), toothed washer (20),canopy(11), rod connector (12), ceiling canopy(13), rod A(14) and rod B(15) in sequence.
6. The power switch (8) can be dialed to select the appropriate wattage.The 3CCT switch (9) can be dialed to adjust the appropriate color temperature (3000K/4000K/5000K)(see figure 1).
7. Connect rod connertor (12), canopy (11), gasket (19), and toothed washer (20) through nut (10)(see figure 1).
8. Connect rod A (14) to rod connector (12), and connect rod B (15) to rod A (14) (see figure 1).
9. Hanging the fixture body.
Notice the half ball on the end of the support rod is grooved down one side (see figure 2) .This keyway fits over the small keyway pin on the inside of the mounting bracket and keeps the fixture from spinning on the mounting bracket.
Using your step ladder, lift the fixture and place the half ball in the center of the mounting bracket with the keyway pin inserted into the keyway on the ball. Turn the fixture left and right slightly to make sure it is seated on the bracket with the keyway pin in the keyway(see figure 3).

10. Make all wire connections to appropriate wire (see figure 1). Secure with wire nuts.
Wire connection: Connect white(neutral) supply wire to white wire (3) ; connect black(hot) supply wire to black wire (4) ; connect ground wire to ground wire (5) , using wire nuts provided.
For 0-10V dimming fixture.

- Connect the pink wire (6) from the fixture to the dimmer source gray or pink wire. Connect the purple wire (7) from the fixture to the dimmer source purple wire. Connect the white wire (3) from the fixture to the neutral (N) wire from dimming source per dimmer wiring instructions. Connect the black wire (4) from the fixture to the control line (L) wire from dimmer supply power source per dimmer wiring instructions.

- For TRIAC dimming.
Connect the white wire (3) to corresponding white (N) wire in accordance withthe dimmer manufacturer instructions.
Connect the black wire (4) to the corresponding control line (L) wire in accordance with the dimmer manufacturer instructions. Pink and purple wires are not to be used and must be individually capped to prevent shorting.Pull on each wire lead to verify all connections are secure.

11. Align the wider screw holes on the canopy with the screws, rotate the top plate so that it moves from wide holes to narrow holes, and then lock the mounting screw (17)to secure them to the mounting bracket(18).

12. After installation, turn on the power.

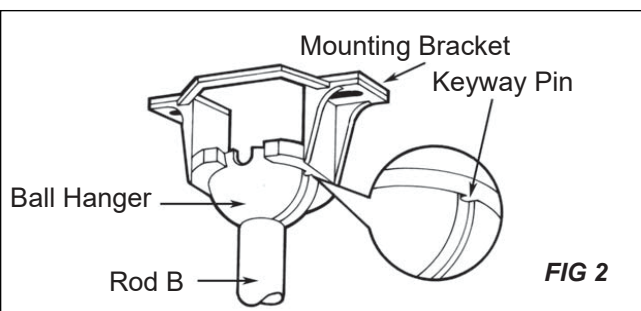


FIG 2

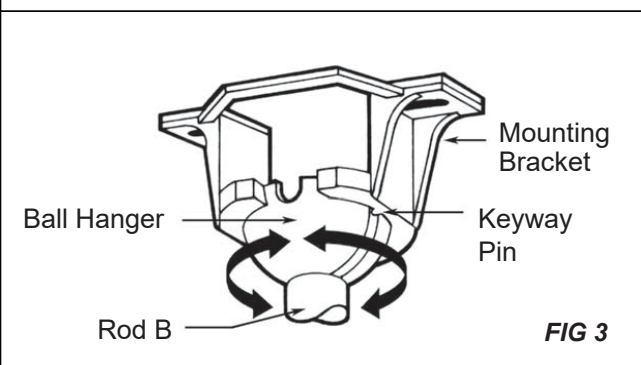


FIG 3

INSTALLATION INSTRUCTIONS (Outdoor installation)

1. Turn off power at the circuit breaker and the light switch. Ensure the power is off before continuing.
2. Remove fixture screw (2), remove canopy (3) from fixture body (1).
3. The power switch (19) can be dialed to select the appropriate wattage. The 3CCT switch (20) can be dialed to adjust the appropriate color temperature (3000K/4000K/5000K). Change to the outdoor-specific canopy (3). The disassembled fixture body (1) is fixed to the canopy (3) through the fixture screw (2).
4. Remove the assembly screw (6) and gasket A (8) and mount the mounting bracket (5) on the junction box using mounting screw (7). Use mounting bracket (5) to position the wall anchor (4) hole and drill 1/4 inch with a drill bit. Then insert the wall anchor (4) into the hole, and then fix the mounting bracket (5) on the wall anchor (4) through the wall anchor screw (9).
5. Use the positioning stickers included in fixture assembly (10) to position the screw holes and lead-out holes and drill holes using a tool electric drill.
6. Place the curved iron plate (12) in the fixture body (1) so that the holes on the curved iron plate (12) are aligned with the drilling holes. Place the gasket B (11) and fixture assembly (10) outside the lamp and align the holes of the gasket B (11) and fixture assembly (10) with the drilling holes. Use the curved iron plate screw (13) to secure the curved iron plate (12), gasket B (11), and fixture assembly (10).
7. Make all wire connections to appropriate wire. Secure with wire nuts.
Wire connection: Connect white (neutral) supply wire to white wire (14); connect black (hot) supply wire to black wire (15); connect ground wire to ground wire (16), using wire nuts provided.
For 0-10V dimming fixture.
Connect the pink wire (17) from the fixture to the dimmer source gray or pink wire. Connect the purple wire (18) from the fixture to the dimmer source purple wire. Connect the white wire (14) from the fixture to the neutral (N) wire from dimming source per dimmer wiring instructions. Connect the black wire (15) from the fixture to the control line (L) wire from dimmer supply power source per dimmer wiring instructions.
For TRIAC dimming.
Connect the white wire (14) to corresponding white (N) wire in accordance with the dimmer manufacturer instructions. Connect the black wire (15) to the corresponding control line (L) wire in accordance with the dimmer manufacturer instructions. Pink and purple wires are not to be used and must be individually capped to prevent shorting. Pull on each wire lead to verify all connections are secure.
8. Use the disassembled assembly screw (6) and gasket A (8) to fix fixture assembly (10) in the mounting bracket (5). It is recommended to apply clear air silicone sealant (not included) around where the wall panel meets the fixture assembly (10).
9. Complete the installation and turn on the switch.

